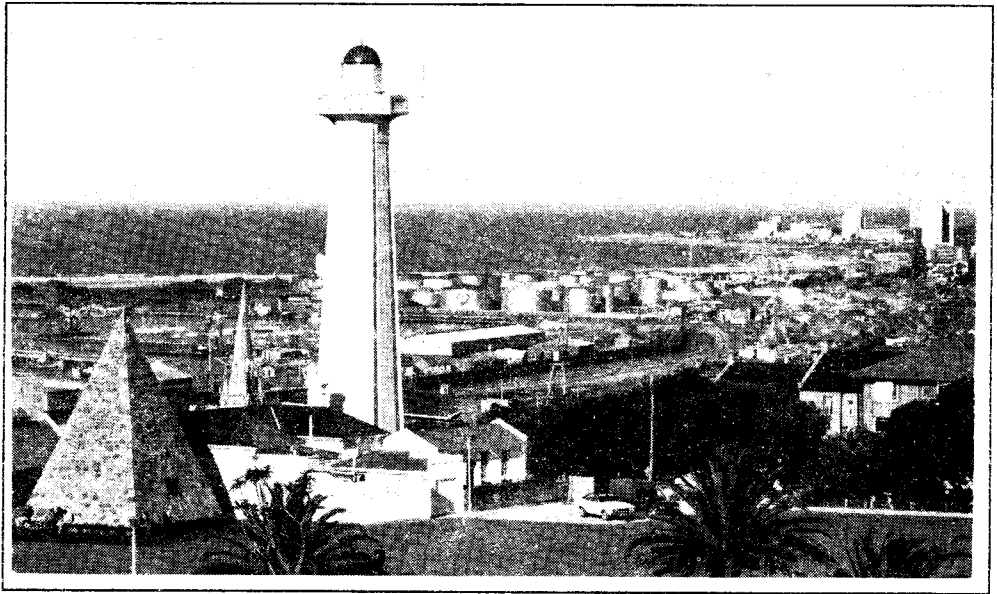




Q S X

P E



THIS NEWSLETTER IS PUBLISHED BY THE
PORT ELIZABETH BRANCH OF THE
SOUTH AFRICAN RADIO LEAGUE

P.O. BOX 10402
LINTON GRANGE
6015

July 1995

MONTHLY GENERAL MEETING

PLEASE NOTE, once again, THE CHANGE OF DATE for the monthly general meeting of the Branch – this month's meeting will be held on **WEDNESDAY, 19 JULY 1995**, i.e. a **WEDNESDAY** evening, NOT Friday! The venue, of course, will be the Civil Defence Centre, Westview Drive, Mill Park, Port Elizabeth. The meeting will commence at 8 pm (20:00).

After normal business, there will be a **final briefing of all operators who are assisting with the VW Rally**. It is, therefore, important that all who have volunteered to help with comms for the event should attend (see the list elsewhere in this issue).

Tea, coffee and munchies will be available.

TechniChat on 27 July

The monthly **TechniChat** will take place at the Civil Defence Centre in Mill Park on **Thursday, 27 July, starting at 19:30**. Please listen to Branch bulletins for the announcement of the subject to be discussed.

Those who missed the last *chat* missed a most interesting dissertation by Mike Bosch ZS2FM on various aspects of VHF/UHF operation.

Private Social Evening

At the last Branch meeting it was decided to enjoy a social evening at the Harbour Tavern on the evening of Thursday, 3 August. This cafe, by a remarkable coincidence, is located at the Port Elizabeth harbour. It is renowned for its **pies and home-brewed beer**. So, if you have always wanted to try cafe beer and pies, here's your opportunity.

To reach the joint you can access the harbour area via the Jetty Street entrance (turning out of Strand Street near the Campanile, east of the old Post Office, under the fly-over). Continue across the railway lines, through the wire gates and bear right, and you will find the Harbour Tavern about 300 metres along the road.

If you enter at the Waterfront Development entrance near the skating rink, you can turn left towards the Jetty

Street entrance as directed by a small signboard, or turn right and continue until you are able to turn left across the railway lines, then turn left again. The Harbour Tavern is a couple of hundred metres beyond the Clubhouse. Whatever route you take, *watch out for the humps!*

Anyone who is afraid of not finding his/her way out of the docks again should tie one end of a ball of string around the campanile on entering and let out the line as he/she goes. If your windscreen suddenly mists up and your wipers can't clear it, you *have* lost your way. Lock your car, leave a marker buoy and swim back along the last bit of your route.

There will be more news closer to the time via bulletins, but please diarize the date – 3 August. That's a Thursday evening. *Be there!*

CQ DE ZS2RL

It's that time of the year again time to send off some boodle to HQ by way of annual subs. Your committee, aided and abetted by one editor, have appealed to those of you who were considering not renewing their membership to give the new SARL management an opportunity to prove themselves before making that decision. So please grin and bear it, it will be worthwhile.

To me, life without bands on which to exercise our hobby is unthinkable. I wonder if we had to lose all our AR privileges through sheer indifference and bloodymindedness, what would we be prepared to pay in order to get them back?

Tis almost time for our AGM: less than three months to go. And therein lies some good news as well as some bad news. The good news is that we are planning to have something different instead of the traditional burnt offerings. The best idea so far is to have a German-style bier-und-wurst evening (with apologies for my doubtful grammar!). Different sausages with sauerkraut (= unhappy German?) and other side dishes, with kilolitres of draught beer. Maybe an even better idea will come along, who knows? Cheesinwynensnax?

The bad news bit is that some committee members will probably not be available for re-election, and in this I include myself. I have enjoyed the eighteen-month stint as chairman, but for reasons related to the saltmine I am not exactly looking for more hay to load onto my fork. So there will be a few positions on the committee that will need filling: the pay ain't so good, but there is lots of job satisfaction. As I recall, we have many capable pensioner members who might have a moment or two to spare ...?

VW RALLY VW RALLY VW RALLY VW

BEAVAN, ZS2RL

Puhleeze don't forget that the **final briefing** for the rally will take place at the next monthly branch meeting, **ON WEDNESDAY 19 JULY**.

It is important that all participants are at the meeting, so that they fully understand all the ins-'n-outs of the arrangements. The rally is a *sponsored national* event, so we must render a professional service.

Boredom will not be a problem faced by the field stations, because in order to cover all the bases with available manpower a number of stations will have to do two stages on each of the days. At the time of writing this (27/6/95), the following okes and okesses have offered their services, and have provisionally been assigned the following tasks:

CONTROL ZS2RL, ZS2SZ

RESULTS ZS2HB, ZS2YL, ZR2NM

MOBILES (provisionally) ZR2GIB ZS6AGC? ZR2MBM ZS2MM
ZS2WG ZR2DET ZS2RS ZS2ABZ ZS2PF

FIELD STATIONS (provisionally) ZS2C ZS2DD ZR2LG ZS2SZ
(Fri only, Control on Sat) ZS2AAW ZS2AE ZR2ABT ZS2PL
ZR2AAX ZS2MC ZS2RT ZS2EM ZS2LN ZR2NM ZR2PEL
ZS2AZ ZR2ABU ZS2PF ZS2LN ZS2SNA ZS2AB/OB (E&OE!),
plus anybody else who wishes to volunteer - or has volunteered - in the
mean time.

Thusly, if you vaguely recognise your callsign in the above list then you **gotta be at the meeting on Wednesday 19 July**.



Instant Printing

FOR ALL YOUR
PRINTING REQUIREMENTS

9 St. Patricks Road, Port Elizabeth 6001

Telephone: (041) 55-2614

Try us for your QSL cards!



HAMNET NEWS

HAMNET GENERAL MEETING

The next meeting will be held on Wednesday, 2nd August at 19:30 at the Municipal Civil Protection control centre in Mill Park.

Hamnet and the branches.

While the restructuring of Hamnet has enabled it to function independently of branches, I am sure that it is Council's wish that Hamnet and the branches liaise and work together to their mutual benefit. This is surely the sensible thing to do.

Branches cater for most of the many facets of the hobby, while Hamnet caters but for one, Civil Protection. It stands to reason therefore that membership of branches will be higher, even much higher, than Hamnet membership. The branches are thus in a good position to help Hamnet swell its ranks through publicizing and actively promoting it.

The branch could involve Hamnet in at least some of its activities and encourage non-Hamnet members to support at least some of the Hamnet activities. Even joint activities could be planned. It would help if committee members, especially the chairman, were Hamnet members. After all, Hamnet helps to create a better image generally of amateur radio, which benefits us all.

Branches can benefit from Hamnet, and the P.E. Branch has been benefitting substantially from Hamnet

East Cape for some time already.

Example? At a SATEPSA meeting a few years ago, the Municipal Civil Protection Department representative and Hamnet came to an agreement that Hamnet assists them during major disasters and in turn we would have the use of the Control Centre for our meetings. Soon after, the P.E. Branch considered changing their venue as the existing one was becoming too expensive and was not central enough. After negotiation with the Municipal C.P. Department, Hamnet offered these premises to the branch for its meeting venue.

This venue is now used quite extensively by the Branch, free of charge. Soon after the Branch commenced using these premises, there was a spate of burglaries during which the Branch also incurred losses. The Deputy Provincial Director had his firm install and operate a burglar alarm system at the centre, free of charge to the Branch and the Municipality. Further examples will be given in future issues of QSX.

73,

**Al Akers.
Provincial Director,
Hamnet East Cape**

RAE CLASSES STARTING

The next series of RAE classes will start with the usual "getting-to-know-you" evening on 24 July 1995, commencing at 19:30 (7.30 pm).

If you know of anybody who is interested, please let him or her know to be at the Civil Defence Centre for this get-together, at which all arrangements for the ensuing weeks will be announced. The contact person is Vic Olivier, ☎ 30-2440.

New Committee Required

No, I'm not advocating that we chuck out the present bunch. After all, they haven't really done *such* a bad job, have they? But, as you will see from the Chairman's CQ on page 3, he and possibly some of the other current Committee members will try to slip out of harness at the upcoming AGM. If we are not able to persuade them to stick around for another year,

we're going to need some new blood on the Committee.

So think who you would like to have running the Branch *for you* in the year ahead - but, when proposing someone, be sure that he or she will make a good go of it. The *Premier Branch* has a reputation to maintain!

How Many Hams Are There?

According to a 1994 report of the International Amateur Radio Union, there are some 2.6 million licensed radio amateurs in the world. The Top 10 List holds a few surprises, not the least of which is the fact that Japan not only has by far the greatest number of hams in any country but, in fact, has more than twice

as many as the USA!

Another unexpected entry is Indonesia, with 60 000 hams. And who would have thought that Spain outstrips Italy by more than 50% with 47 000 against Italy's mere 30 000?

The top ten countries are:

1	Japan	1 300 000
2	United States	632 000
3	Germany	64 000
4	United Kingdom	62 000
5	Indonesia	60 000
6	Spain	47 000
7	Canada	44 000
8	Russia	38 000
9	Italy	30 000
10	Brazil	27 000

The report also discloses that there were 417 000 licenced hams in Region 1 (Europe, Africa, the Middle East and the former Soviet Union), 780 000 in Region

2 (the Americas) and 1.4 million in Region 3 (the rest of Asia and Oceania) - No wonder the Oriental fishermen come all the way out here to have a QSO! Ω

Meet Poppie, ZS1AFZ

Last month we reported that one of our members, Poppie Oosthuizen of Bellville, had received the French DTC Diploma for having established 5 000 contacts on CW. QSX Manager Vic ZS2SZ asked Poppie for more details regarding her ham activities and we were quite surprised, to say the least, at the information that we received. Poppie writes:

"There are no more details regarding the DTC Diploma except that it has been quite a stretch since the ALGOA BAY CW Merit Award that I earned early in 1993 for the 1000 CW contacts ... with the solar cycle getting lower and lower and the amount of CW Operators also getting a bit scarce on the frequencies.

"If you mean more about my DX'ing in general, I guess I do have a little bit for you. Since last year more or less this time I've earned quite a number of awards of which I am very proud. The one most important to me has been

- the ALL AFRICA AWARD (as I think this one is FAR MORE difficult to earn than the DXCC Certificate);
- DXCC (161 countries ... my call has been published in the latest QST amongst the other CW Calls);
- WORKED ALL STATES;
- I decided the normal WORKED ALL CONTINENTS is a bit too easy to earn - so went for WORKED ALL CONTINENTS YL CW (I had to have one YL per continent confirmed). There was a period when I thought I'd never be successful with this one but, with the help of Sharon, ZS2SL, and Mary, ZS5V, and a YL from Zimbabwe via Sked Arrangement almost all three of them

at the same time, I've succeeded.

"The next to follow was DX-YL of the USA; the FRENCH YL AWARD; the ASIAN DX AWARD; RAAG of Greece; the WORKED ALL ZS CW (which I have found extremely difficult - as I've made the required contact ... but it has been very close to murder getting the QSL Cards from the operators!). Then followed the 100-EA-CW & ESPAÑA AWARD (which is a very precious one to me as well) and the last one has been the DTC AWARD.

"I have applied for WPX but am still waiting. I am CQ Zone 2 short before I can apply for the WORKED ALL ZONES AWARD (have not been successful, since starting on HF, in having a QSO with Zone 2 except a /MM one which does not count). I have had no joy applying for the 3 Hong Kong Awards ... first application returned by Hong Kong Post Office as "unclaimed" ... but fortunately returned to me with all the IRCs. So I applied for it one more time by ordinary mail - but no feedback/IRC's or Award from Hong Kong!!

"Contest-wise I have been placed in the win position (DX side) in the ALARA (Australian Ladies Amateur Radio Association) CONTEST 1994 CW Section. I am a member of Young Ladies Relay League; Japan Ladies Radio

“ make your target very difficult and you'll never get tired of working DX ”

Amateur Society as well as Canada Ladies Amateur Radio Society. I am the only ACTIVE (no sked arrangement) YL on the entire African Continent; have worked 213 countries with 167 confirmed to date ... must send out Direct QSLs again in the near future!

"My target: 5-Band DXCC; 5-Band WAS; 5-Band WAZ; DXCC-YL. A Japanese friend advised me during my first year of HF operation "make your target very difficult and you'll never get tired of working DX" - his words have been very true indeed!

"I work only CW as I find it a much greater challenge - can communicate with

almost all nationalities - nil per fone, not even 2M. Packet Communication to obtain all my DX information etc. with of course a good Packet Friend here and there!"

With typical modesty, Poppie adds: "Vic, this is all I can give you for the purpose you need it - should you want to use it sort of 'as is' please be so kind as to remove all the I's; My's and Me's from the contents ... as it sounds rather silly". We don't think it does, and she has hidden all these outstanding achievements under a barrel all this time. ***Congratulations, Poppie, on a stout effort!***

That Power Supply Again

Thanks to Vic ZS2SZ for the following hints for those who construct the 13.8V power supply unit featured in our April issue.

1. Before testing the unit, temporarily disconnect the crowbar circuit.
2. Test the zener diode that you intend to use. To do so, put a 1k Ω resistor in series with it across a voltage source a little higher than 15 Volts (say 18 to 24V). A voltmeter connected across the terminals of the diode should give a reading of 15V or pretty close to it.

Gus bought two zeners marked 15V but each of them proved in fact to be a 9V unit and, when it popped, it took the MJ802 transistor with it.

And the fuse.

Twice.

3. You can make up the 0.025 ohm resistor using a 950 mm length of 2.5 mm ϕ *brazing* rod. Wind it on an old resistor or suitable former of heat-resistant material about 75-80 mm long and about 10-12 mm diameter. Space the turns carefully to prevent short-circuiting.

At 20A maximum drain, the voltage drop is about 500 mV across this resistor and it dissipates 10 watts or so. That means it will heat up, so keep it away from components and materials that might be affected.

◇ **Remember to read the further references to this useful power supply in the May and June issues of QSX if you plan to construct the unit.** Ω

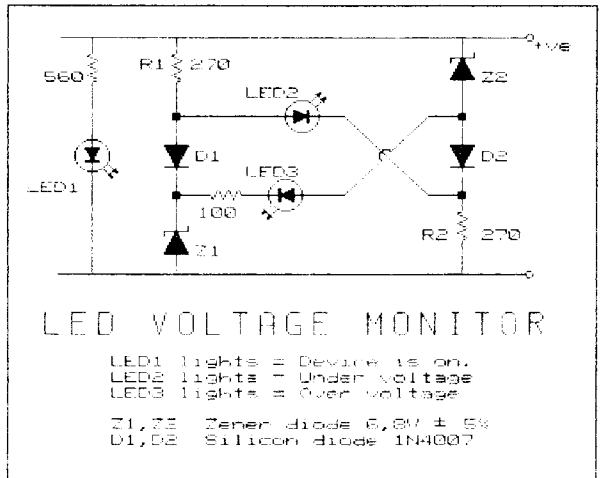
The circuit below can be used to monitor for voltage variations from a power supply.

The balanced bridge uses zener diodes Z1 and Z2 in the opposite arms of the bridge and back-to-back LEDs at the mid-points of the bridge arms.

If the voltage does not exceed the breakdown voltage of the two zeners in series (6,8 + 6,8V) LED2, in series with the two resistors R1 and R2, lights up. Above 13,6V, LED2 is reverse biased and stays off.

As the voltage increases to the extent that there is a voltage drop across R1,D1 and D2,R2, LED3 becomes forward biased and it lights up, the 100Ω resistor limiting the current. In this configuration the voltage is about 15,2V.

One may be able to decrease the tolerance by using germanium diodes.



PACKET NEWS

Those packeteers who are unable to access the Branch bulletin board in Uitenhage, ZS0UTE direct may make use of the digipeating facilities provided by Beavan, ZS2RL, whose station is available 24 hours a day and is well situated for packet purposes.

One can either use it as a straight digipeater (ZS0UTE V ZS2RL) or use the node, i.e. first CONNECT to ZS2RL-7, then transmit C ZS0UTE. The digipeater may be quicker in good QRM-free conditions as it simply repeats all valid packets back and forth as it receives them, leaving the terminals to decide whether any are missing or duplicated. Any queries between the end stations have to also be retransmitted via the digi (or digis). The node, on the other hand, first checks everything received from the user and the BBS, obtaining any necessary repetitions before passing the frames on.

□ There are plans in the pipeline for improving the path between the BBS in Uitenhage, on the one hand, and the digipeater in Grahamstown as well as Port Elizabeth and district on the other. Hearty thanks to our up-and-about repeater working group. Ω

MINUTES OF THE MONTHLY GENERAL MEETING OF THE PORT ELIZABETH BRANCH OF THE S.A.R.L. HELD AT THE CIVIL DEFENCE CENTRE, MILL PARK, PORT ELIZABETH ON FRIDAY, 23 JUNE 1995.

Welcome - The Chairman extended a special welcome to Liesel, Jacque & Barry.

Apologies - As per register.

Acceptance of Minutes of Previous Meeting - Proposer : ZS2AZ, Seconder : ZS2MC

Matters Arising -

- **Guest Speaker** - The Chairman advised that the Vodacom representatives had had to cancel their presentation at the last moment due to circumstances beyond their control.
- **Branch Levy** - Members were reminded that they are not expected to pay the R5 branch levy.
- **VW Rally** - The final briefing for the Rally will take place at the next General Meeting i.e. Wednesday 19 July.
- **Wooden Spoon Award** - HQ have not responded to our proposal.

Financial Report - The Treasurer confirmed that Branch finances are still in the black.

New Business

- **Social** - It was agreed that a social get-together will take place at the Harbour Tavern on 3 August at 20h00. A sketch map will be published in QSX.
- **The AGM** on 23 September will conclude with a German evening.
- **Repeaters** - Additional solar panels are needed for Knysna.
- **Repeater details** will be published in QSX.
- **Life Subscription** - It was suggested that the proposed 30 year period was unrealistic. A reduced period e.g. 5 years at a reduced rate would be more likely to meet with a favourable response. A letter to this effect will be sent to HQ.

The meeting closed at 21:10, whereupon members enjoyed refreshments and general chatter.

Annual General Meeting

Please note that the AGM of the Branch is scheduled for the *afternoon/evening of Saturday, 23 September 1995*. The Scout Hall in van Plettenberg Street, Kabega, has been booked for the occasion and it has been decided to follow the meeting with a cheese and wine session. More details next month.

Bulletin Nets

Because of a change in propagation conditions, the Branch is now linking the after-bulletin VHF net with the *80 metre net on 3640 kHz*, and no longer with the 40m frequency. Although the bulletin is still relayed on 7098 kHz, the after-bulletin call-in will be a stand-alone net.

Outstations may be forgiven for forgetting that the VHF and HF nets are relayed back and forth because the quality of the link provided by Beavan ZS2RL is so good. However, it must be remembered that *there is only one control station, even on a combined net* and, if our linking is to function smoothly, outstations must observe good discipline. If you *must* break in out of your proper turn, confine your interjection to the word "break" followed by your call sign, and wait for the *controller* to call you in. Don't simply break in and start talking.

Branch Trophies

The various Branch trophies will be awarded at the AGM in September. Those who hold floating trophies from the last AGM are asked to return them to Peter Flynn ZS2PF before 31 August so that they can be appropriately engraved before the AGM.

Subs – a Reminder

Remember, subs are now due and we strongly urge all who would like to see the SARR flourish once more to renew their membership at least for another year if they can afford it. Your hard-pressed Editor is sending his with a note to the effect that it will, regrettably, be his last renewal unless the subs are *drastically reduced* by next year.

Looking after our interests with the

Authorities does *not* cost an arm and a leg in spite of repeated implications to this effect in HQ bulletins and Radio ZS articles. It is, in fact, the prime purpose of the League and, carried out by volunteer Councillors, should actually be quite inexpensive as it used to be. The real cause of the League's high running costs lies in the megalomania, regimentation and pseudo professionalism (yet with increasingly amateurish service, from many reports) that was foisted on our erstwhile happy amateur body in recent years.

Perhaps a more pally, relaxed management atmosphere, with a return to the *hobby* image and the good old esprit de corps that went with it – will encourage more Gauteng hams to volunteer their services free of charge to our hobby. Whatever happens, Council has *got to meaningfully reduce subscriptions for 1996/97*, not merely maintain the 95/96 levels, if it hopes to recapture the lost members and attract new ones.

The Branch Levy

Another reminder that you should *not* include a R5 Branch levy (as indicated on the renewal notice that you have received by now) when you post your subs to HQ. Instead, you are invited to send a donation of R12 towards the cost of QSX *direct to the Branch Treasurer*. This donation – which is purely voluntary – was agreed upon at a Branch meeting several months ago to avoid having to reduce the frequency of QSX.

Social members should also please not forget to send their R30 renewal to the Branch Treasurer. What *would* you do without QSX?

PE Candidates Excel in RAE

The RAE results are out and we were happy indeed to note that 11 of the PE Branch's 12 candidates made the grade, all having written the Class A examination (see page 14). Three PE candidates obtained A aggregates, **two of them gaining straight A's** (A each for Technical and Regs, and of course also for the Aggregate). There were no fewer than six B's among the results and a C or two.

Congrats also, of course, to those who gave many hours of their time in presenting the classes. To those candidates who unfortunately did not succeed we express our sympathy but hope that they will give it their best next time. *It's worth the effort!*

SA's Top Candidate used PE's Study Notes

Top marks in the Republic were achieved by Renate Bezuidenhout of Pretoria who, we announced in last month's QSX, recently became engaged to Keith Laaks, ZS6TW (but your worthy Editor got a smack for spelling her name as *Ronata*). The couple were on a visit to PE when the good news broke.

Renate, who will perhaps be the first YL to receive the Arland Usher Gold Pen Award that is presented to the top Class A scorer in SA, studied from the notes that are supplied to PE Branch class students, with the RSGB Examination Manual as backup. She is now busy with her CW.

• It has been rumoured that Renate went to great lengths to select a fiancée with a highly intelligent family background. However, with typical modesty your Editor expressly denies that this was so. It happened by sheer

coincidence.

QRP Beacons on 3585 & 1817 kHz

The 1 milliWatt beacon that Roger, ZS1J, previously operated on 3512 kHz has been moved to 3585 kHz and the power has been boosted to a roaring 100 milliWatts following correspondence with the IARU's Region I Beacon Committee. It now runs 24 hours a day, every day and the signal is surprisingly strong at times in various parts of the country.

In addition, Roger has put a 900 milliWatt beacon on 1817 kHz in the 160 metre band. It is, however, using the same keyer as the 80m beacon, so the output power indicated (100 mW) is incorrect for the 160m beacon.

The IARU Beacon Committee told Roger they were keen to have an 80m beacon operating on the African continent, adding that there are only two in Europe and one in Australia on this band at present, and none at all in America. *There is a 160m beacon in Europe on 1840 kHz*

Both ZS1J beacons have already been heard far and wide around the RSA and Roger would be happy to receive reports on the signals. His address is OK in the callbook.

Moonbounce by Landline!

...Well, sort of. Keith, ZS6TW, has recorded K2GAL calling CQ via the moon and has placed it on an electronic Voicemail number for a while, just for interest's sake. If you would like to hear some moonbounce - more formally known as EME - you can call 0881-010-000 (it will only cost you the price of a local call) and listen carefully for the CW drifting in

and out of the noise. (I would have preferred a higher CW pitch).

The receiving equipment included a 2XP9FT antenna (twin long Yagi's) with a total gain about 15dBd feeding his 2m rig via a BF981 Mosfet preamplifier.

Fun with Car Registrations?

Dick, ZS2RS, has been thinking about our car registrations changing with everything else under the NSA syndrome – probably patterned on the system of three letters and three or four figures, the province being indicated by a final letter.

Assuming that one may, by fair means or foul, select one's preferred registration, he has laid claim to SWR 121 and suggests that a lot of fun could be had with Q codes and other ham abbreviations. I suppose Viv would go for QRP 339, for

example, while some might prefer RST 599. Wolf could try something like FOX 999, but QRX 410 would *have* to be a taxi (that's an Anglikaans one).

How about letting your imaginations run wild and passing your better ones to us for publication? The sender of the best selection will be able to apply for a second copy of the issue of QSX in which we announce his name. Free. What more can you ask for?

Sardinia, Malawi on 160 Metres

Ken, ZS2BWB, has been doing his thing on 160 Metres and was thrilled to work Sardinia (that's in the Mediterranean) and Malawi (you *know* where *that* is) recently. Good work, Ken. Keep us posted on developments.

Ω

FOR SALE * SWOP * FOR SALE

1. Heathkit SB230 **linear amp** with spare tube, excellent working order – R1750
2. **Argonaut transceiver** with linear amp, 50w input, plus 8A DC power supply – R1350
3. **2 metre Handi-talkie** Yaesu FTC2003, 2w out, 6 crystal controlled channels (5 fitted: 145.500, 550, 650, 700, 750) including nicad pack, charger and accessory speaker/mike – R550
4. **Shortwave Receiver** solid state Realistic DX150A, 535kHz to 30MHz continuous in 4 bands, stable, sensitive, bandspread calibrated for ham bands – R300
5. **Storno 2 metre transceiver** on 145.750, AC powered or 12V or 24V DC, 10w out – R150

Phone John Hugo, ZS2J at (0464) 25-0890 all hours (answering machine) or write PO Box 11, Bathurst 6166.

WANTED * WANTED * WANTED

Two solar panels, 36 or 24 watt, for use with the Branch's Knysna repeater. Please contact Trevor Scarr, ZS2AE at (041) 32-1746

Barlow-Wadley radio aerial – Phone André Botes, ZS2ACP at (041) 73-2058.

Sympathy – We extend our condolences to Royden Thompson, ZR2ABF and family on the recent passing of Royden's father.

Congratulations

on your birthdays:

July

- 25 Ruth Bodmer XYL of Walter ZR1WB
- 26 Daniel Burger ZR2B
- 29 Des Pettit ZS2ABU
Walter Bodmer ZR1WB

August

- 1 Mandy Masters XYL of John ZS2AAN
- 2 Sharon Layton ZS2SL
- 3 Louisa Taljaard XYL of Ben ZR2CS
- 11 Ben Schilder ZR2ABE
John Watson ZS2KD
- 14 Marc Schaefer ZR2ACB
- 15 Annamarie Barnard XYL of Attie ZR2DY
- 18 Al Akers ZS2U
- 19 Charles Thwaites ZS6BUC
- 20 Piet Fourie ZS2FP

on your anniversaries:

July

None in this QSX period

August

- 5 Shirley & Tom Cockbain ZS2TC
- 9 Annamarie & Attie Barnard ZR2DY
- 20 Ria & Paul de Vos ZS2AB

on passing the RAE:

Vic Batt, Renate Bezuidenhout (Gauteng, fiancée of ZS6TW); Anthony Bruyns (who had to write only the Regs this time), Des Herselman, Kevin Hopper (Gauteng, son of Phil),

Abraham Jasson, Brian Jones (Alexandria, who studied privately), Randall Jooste, Karl Kretzman, Vanessa Marshall, Koogam Moodley, Gerard Pillay, Noel Smith, Jill van Vuuren and Peter Whittaker.

Special pats on the backs go to Renata Bezuidenhout, Des Herselman and Peter Whitaker, who **obtained straight A's!** Excellent work, you three.

Remember to let Vic know as soon as you receive your call signs, for which you have no doubt already applied unless you intend to do your CW for a full ZS licence right away.

□□□

Sick Parade – Ron Harvey, ZS2RU had a quadruple bypass operation recently; Ria Laaks broke the second hip in six weeks and it dislocated itself in hospital yet; Andrew Bowles ZR2ABB was hospitalized after a serious car crash en route to Gamtoos. We hope you will all be back in the thick of things very soon.

Gallivanting – Kay and Fred ZS2JS are in the USA for a couple of months; David ZR2DCB will be in PE for a short break in August; Brendan ZU1AAR will be off to the UK soon to represent his school in water polo (congrats, Brendan and good luck!); Mel and Chairman Beavan ZS2RL are off to Bonnie Scotland to visit their daughter in August/September. Enjoy your visits, all of you. ☺

Port Elizabeth Branch Committee

Chairman; Rallies	Beavan Gwilt ZS2RL	30-6968
Secretary	Kevin Karp ZR2KLM	30-0792
Vice Chairman; Social	Owen Thomas ZS2AZ	38-4134
assisting with refreshments at meetings	Bill Hodges ZS2ABZ	51-2580
Treasurer; Assets Control	Clive Fife ZS2RT	32-3203
assisting with Assets Control	Lynne Crothall ZS2MM	35-4671
Awards; Library	Peter Flynn ZS2PF	46-4096
Repeaters; Packet	Wolf Gerstle ZS2WG	30-1510
Special Events	Dick Schönborn ZS2RS	56-3908
QSX Manager	Vic Olivier ZS2SZ	30-2440
assisting as QSX Editor/layout	Garth Laaks ZS2HB	38-1101
Technical Classes	Gerhard Baum ZS2UM	30-5224

Branch VHF & Other Services

REPEATERS

Town VHF	145,050/650	Kareedouw	145,125/725
Town UHF	431,050/438,650	Lady's Slipper	145,100/700
Grahamstown	145,150/750	Uitenhage	145,075/675
Cradock	145,050/650	Cockscomb	145,000/600

OTHER SERVICES

Packet Bulletin Board (ZSØUTE)	144,675
Digipeater (Grahamstown - ZSØGHT)	144,675
2m Beacon (ZS2VHF CW ID)	144,910
6m Beacon (ZS2SIX CW ID)	50,005
6m Link with Lady's Slipper 2m Repeater	51,400
Wefax Relay (Meteosat)	145,350

Sunday Bulletins

Branch bulletins are transmitted on Sundays immediately after the Headquarters English transmission, i.e. at about 08:45, on 7098 kHz (and 3640 when necessary) as well as on the 2 metre linked repeater system giving coastwise coverage from East London to Humansdorp and points beyond via 145,750 and 145,700 MHz.

Date	Prepare and Read on 145,700
16 Jul	ZR2KLM
23	ZS2SZ
30	ZS2PF
6 Aug	ZS2WG
13	ZS2RS
20	ZS2RT

DIARY DATES
JULY
19 Branch MEETING
21/22 VW Rally
27 Technichat

★ We Like *Being* Your Branch ★